

Technical Data Sheet

Product: AA123



THE EDGE
ON SAFETY

DESCRIPTION

Natural Satin Anodised Aluminium Long Front Square Single Carpet Stairnosing Profile. This product has been designed with a built in packer and lip on the back edge to simplify installation with direct stick carpets.

MATERIAL

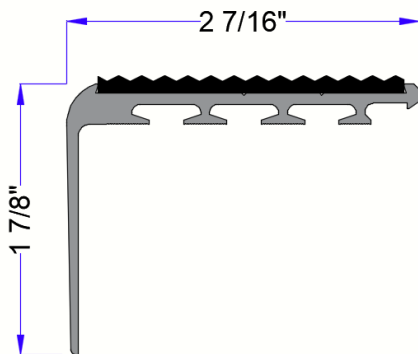
T6 6063 Alloy aluminium - Natural Satin anodised.

Standard 8'2" Lengths.

1 x 2 1/8" Tredsafe Insert.

Supplied pre drilled for countersunk screw fixing. Tredlock adhesive can be used in conjunction.

DIMENSIONS



EXAMPLE

In this example, AA123 has been installed with 1/16" vinyl butting up to the end of the profile. This installation has used slip resistant Tredsafe Diamondtred insert for safety, which meets standards of ATSM E303-93 for wet slip resistance.



For PDF and CAD drawings with full dimensions and installation guides, please refer to our website www.tredsafe.com

Release: January 2019

Information given in this data sheet is based on the current state of knowledge. This does not exempt the purchaser from carrying out his own careful inspections of incoming goods and their suitability for local building codes. We reserve the right to make changes to the product data in the course of technical progress or due to operationally related further development. Owing to factors beyond our control during application, recommendations given in this data sheet require tests and experiments by the customer. Our recommendations do not exempt the customer from the obligation to check any infringements of third-party rights himself and eliminate them if necessary. The suggestions for product use are not equivalent to a warranty of its suitability for the recommended purpose.

Each new release of this data sheet supersedes the previous one.